

# Rotating Crane Hooks

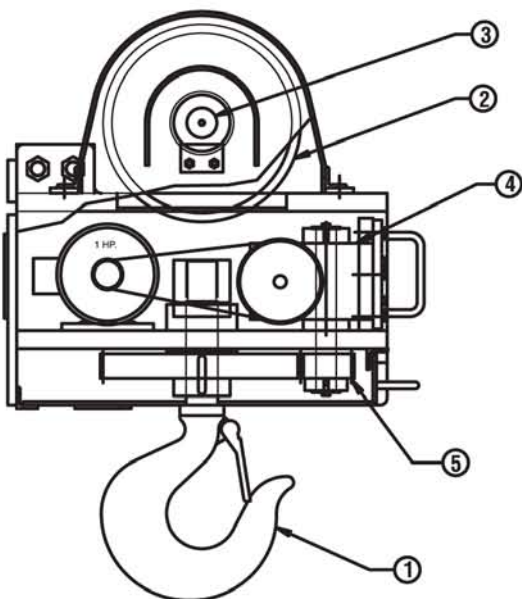
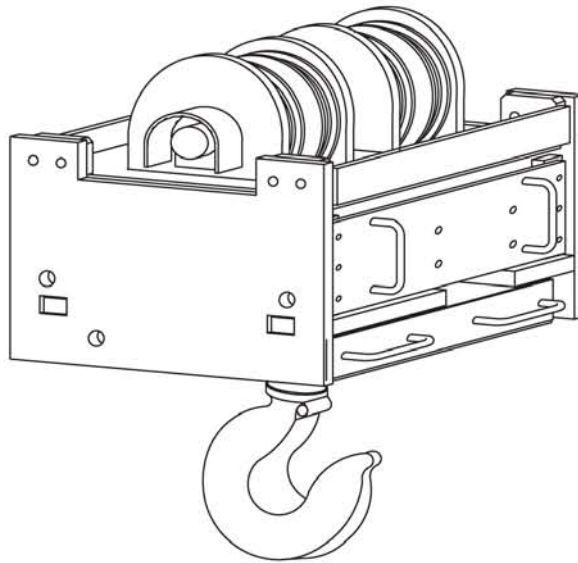
## Model 50 - Motorized Rotating Crane Hook



Shown with optional load scale.

### PRODUCT FEATURES:

- Custom designed to fit your applications.
- Allows for independent and precise position of load.
- Full 360° rotation @ 1-1/2 RPM.
- Controls feature soft-starting capability.
- Designed to operate on either direct or alternating power supply.



### STANDARD DESIGN FEATURES:

1. Heat treated forged steel hook with latch.
2. Forged steel sheaves with hardened rope grooves.
3. Tapered roller bearings with grease fittings.
4. Heavy duty worm gear reducer.
5. Direct spur gear drive.
6. Easy access for maintenance.
7. Controls include starter with overload, VFD (variable frequency drive) NEMA - 12 enclosure and pigtail.



The Caldwell Group



Distributed By  
McLaughlin Hoist & Crane  
1850 Larkin Williams Rd.  
Penton, MO 63026  
(636)343-9700  
www.slcrane.com

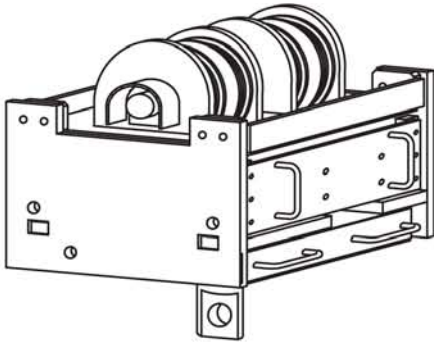
Strong-Bac® Section  
2009-2010 Master Catalog

# Rotating Crane Hooks

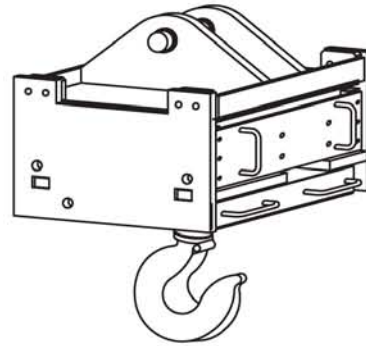


**The Caldwell Group**

## Clevis Style

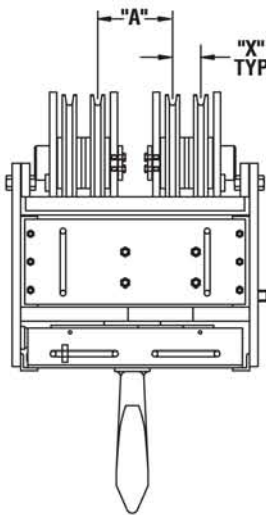


## Pin Bail



### Model 50 - Application Evaluation

1. CMAA Crane Duty Class: \_\_\_\_\_
2. Capacity of crane: \_\_\_\_\_
3. Number of sheaves: \_\_\_\_\_
4. Sheave diameter: \_\_\_\_\_
5. Sheave spacing (A): \_\_\_\_\_ (X): \_\_\_\_\_
6. Type of sheave bearings: \_\_\_\_\_
7. Wire rope diameter: \_\_\_\_\_
8. Maximum degree of rotation required: \_\_\_\_\_
9. Will a motorized grab be suspended from the hook?  
 Yes     No

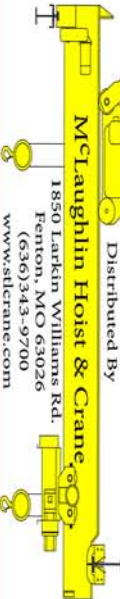


9. Operating voltage: \_\_\_\_\_
10. Describe load to be rotated:
  - a. Weight \_\_\_\_\_
  - b. Length \_\_\_\_\_
  - c. Width \_\_\_\_\_
  - d. Height \_\_\_\_\_
  - e. Shape \_\_\_\_\_
11. Will hook be outdoors?  
 Yes     No
12. Operation controlled from:  
 Cab     Pendant     Remote
13. Load scale required?  Yes     No  
 Describe requirements: \_\_\_\_\_  
 \_\_\_\_\_
14. Options required: \_\_\_\_\_  
 \_\_\_\_\_  
 \_\_\_\_\_

Contact: \_\_\_\_\_  
 Company: \_\_\_\_\_  
 Address: \_\_\_\_\_  
 City, State, Zip: \_\_\_\_\_  
 Phone: \_\_\_\_\_  
 Fax: \_\_\_\_\_  
 Email: \_\_\_\_\_

**McLaughlin Hoist & Crane  
 Authorized Sales & Service**

**(636) 343-9700  
 FAX: (363) 343-0840  
 www.sflcrane.com**



Distributed By  
**McLaughlin Hoist & Crane**  
 1850 Larkin Williams Rd.  
 Fenton, MO 63026  
 (636) 343-9700  
 www.sflcrane.com

**Strong-Bac® Section  
 2009-2010 Master Catalog**