

AP Dynamometer Specifications

DILLON

Pound Capacities

| 5" (125 mm) Dial Size | | 10" (250 mm) Dial Size | | Ultimate Safety Factor | |
|-----------------------|---------------------|------------------------|---------------------|------------------------|--------------|
| Part Number | Cap x Division Size | Part Number | Cap x Division Size | | |
| LOW | 30006-0019 | 500 x 5 | N/A | 5:1 | |
| | 30006-0027 | 1,000 x 10 | 30007-0026 | 1,000 x 5 | 5:1 |
| | 30006-0035 | 2,000 x 20 | 30007-0034 | 2,000 x 10 | 5:1 |
| | 30006-0043 | 4,000 x 25 | N/A | | 5:1 |
| | 30006-0050 | 5,000 x 50 | 30007-0059 | 5,000 x 20 | 5:1 |
| | 30006-0076 | 8,000 x 50 | 30007-0075 | 8,000 x 50 | 5:1 |
| | 30006-0084 | 10,000 x 100 | 30007-0083 | 10,000 x 50 | 5:1 |
| | MED | 30006-0092 | 15,000 x 100 | 30007-0091 | 15,000 x 100 |
| 30006-0100 | | 20,000 x 200 | 30007-0109 | 20,000 x 100 | 4.5:1 |
| HIGH | N/A | | 30784-0017 | 30,000 x 200 | 5:1 |
| | N/A | | 30784-0033 | 50,000 x 200 | 3:1 |

Kilogram Capacities

| 5" (125 mm) Dial Size | | 10" (250 mm) Dial Size | | Ultimate Safety Factor | |
|-----------------------|---------------------|------------------------|---------------------|------------------------|-------|
| Part Number | Cap x Division Size | Part Number | Cap x Division Size | | |
| LOW | 30006-0134 | 500 x 5 | 30007-0133 | 500 x 2 | 5:1 |
| | 30006-0159 | 1000 x 10 | 30007-0158 | 1000 x 5 | 5:1 |
| | 30006-0126 | 2000 x 20 | 30007-0125 | 2000 x 10 | 5:1 |
| | 30006-0167 | 4000 x 25 | N/A | | 5:1 |
| | N/A | | 30007-0174 | 5000 x 20 | 5:1 |
| MED | 30006-0118 | 10000 x 100 | 30007-0117 | 10000 x 50 | 4.5:1 |
| HIGH | N/A | | 30784-0058 | 20000 x 100 | 4:1 |

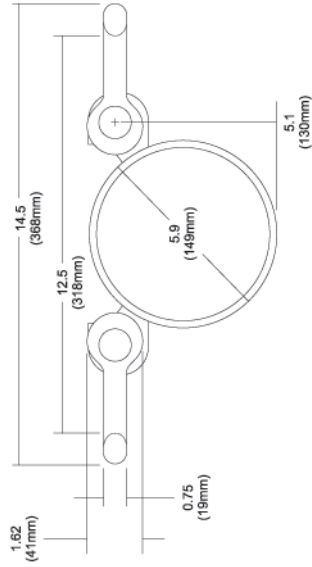


Model AP Dynamometer Dimensions

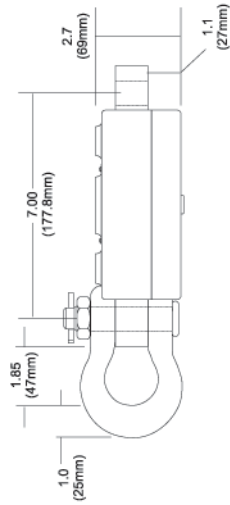
Dimensions in inches (mm)
 Drawing scales differ between capacities
 Dimensions subject to manufacturer /supplier tolerances and
 are subject to change without notice.

Low & Medium Capacities
 500-20,000 lb / 200-10,000 kg

5" dial design

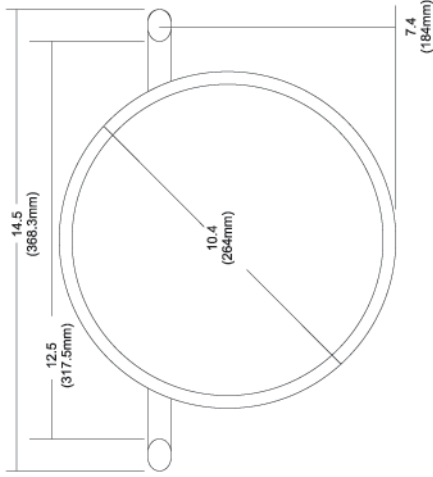


Front view

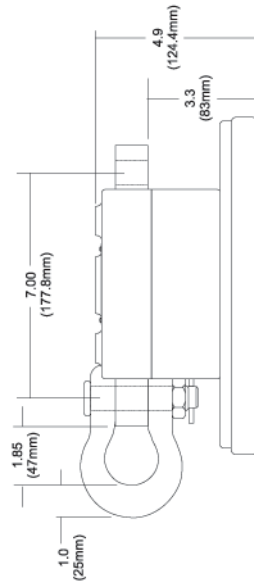


Side view

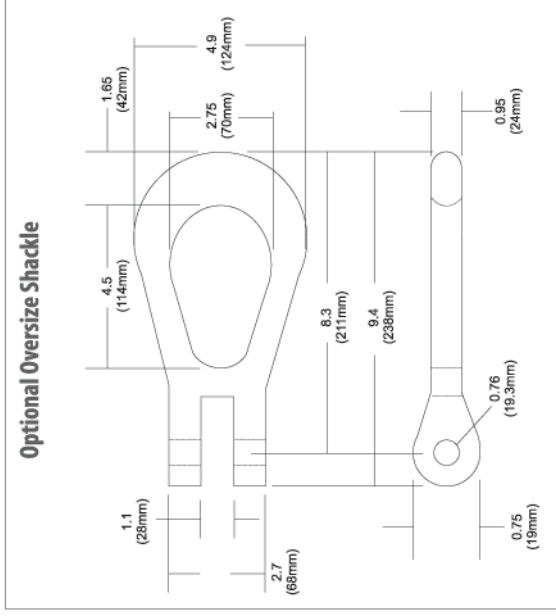
10" dial design



Front view

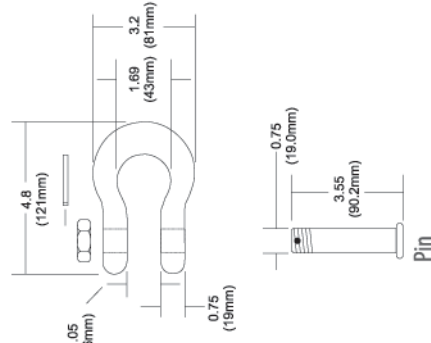


Side view



Optional Oversize Shackle

Standard Shackle

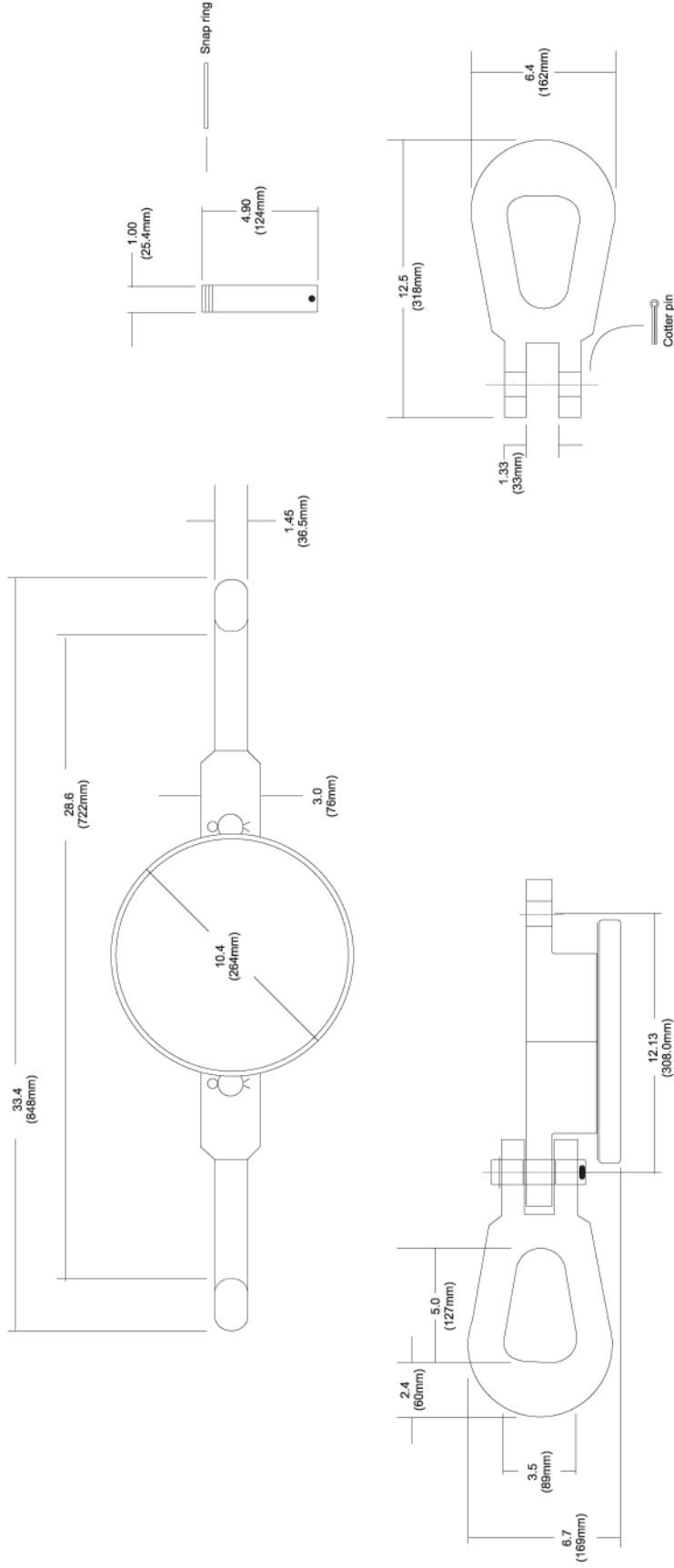


Pin

High Capacities

30,000-50,000 lb / 15,000-20,000 kg

For smaller, lighter and/or anchor shackles see Dillon APxtreme.



Model AP Mechanical Dynamometer

Accuracy: $\pm 0.5\%$ of capacity

Temperature Range: -50° to 140° F (-45° to 60° C)

Ultimate Safety Factor:

See table on cover for minimum USF

Construction:

Pressure bar—

High-grade E4340 alloy steel or 7075-T651 aluminum

Shackles –

A4140 forged steel (machined from E4340 steel)

Shackle pins –

Machined from E4340 steel

Case Housing:

5" models are equipped with high strength composite plastic case.

10" models use cast aluminum enclosure.

Corrosion Protection: Pressure bar protected with durable powder coat paint. Shackles and pins are electroless nickel plated. All integral machining and fasteners are produced from noncorrosive materials or have suitable plating.

Zero Control: Zero up to 20% of capacity. Zeroed load must be considered as part of ultimate load.

Calibration: Traceable to NIST.

Documentation: Includes User's Guide and signed calibration card.

Carry Case/Crate:

Low/Med capacity 5" dial – includes plastic carry case

Low/Med capacity 10" dial – optional steel carry case

All high capacity – includes reinforced plywood crate

Periodic Proof Loads: Controlled 150% proof loads permitted annually.

Shipping and packing (approximate weights):

5" Low and Med Capacities

| | |
|-----------------|----------------|
| Net weight | 9 lb |
| Shipping weight | 15 lb |
| Shipping box | 16" x 11" x 7" |

10" Low and Med Capacities

| | |
|--|----------------|
| Net weight | 10 lb |
| Shipping weight | 16 lb |
| Shipping weight (with optional steel case) | 26 lb |
| Shipping box | 14" x 14" x 7" |

30,000 – 50,000 lb (20,000 kg) High Capacity

| | |
|-----------------|---------------------|
| Net weight | 64 lb |
| Shipping weight | 98 lb |
| Shipping crate | 37.5" x 13" x 10.5" |



Distributed By

McLaughlin Hoist & Crane

1850 Larkin Williams Rd.
Fenton, MO 63026
(636)343-9700
www.stlcrane.com

DILLON

Overload Protection and Overhead Weighing Equipment

a division of Avery Weigh-Tronix
Fairmont, MN U.S.A.

Toll-Free: 800-368-2031

Phone: 507-238-4461

Fax: 507-238-8258

www.dillon-force.com

